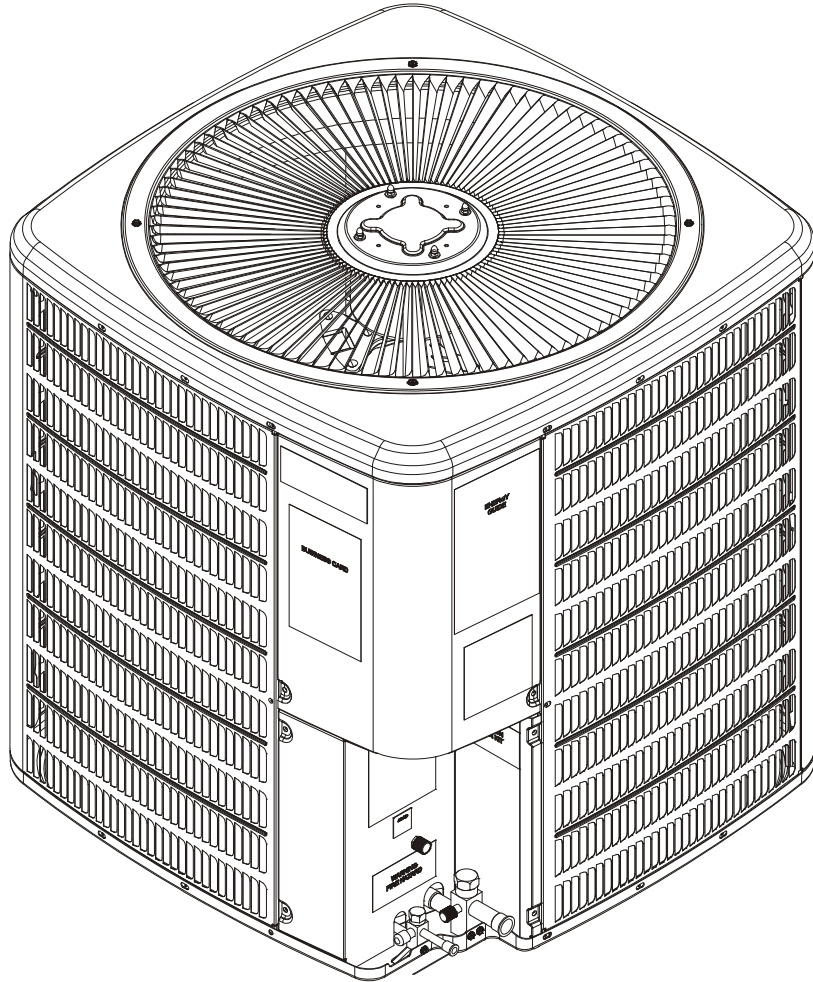


REPAIR PARTS

SSZ14 SEER Remote Heat Pumps

SSZ140181AC
SSZ140181AD
SSZ140181AE
SSZ140181AF
SSZ140181AG
SSZ140181AH
SSZ140241AF
SSZ140241AG
SSZ140241AH
SSZ140241AJ
SSZ140241AK
SSZ140241AL
SSZ140301AD
SSZ140301AE
SSZ140301AF
SSZ140301AG
SSZ140301AH
SSZ140361AG
SSZ140361AH
SSZ140361BA
SSZ140361BB
SSZ140421AE
SSZ140421AF
SSZ140421AG
SSZ140481AE
SSZ140481AF
SSZ140481AG
SSZ140601AE
SSZ140601AF
SSZ140601AG



This manual is to be used by qualified technicians only.

This manual replaces RP-538C.

© 2008,2010,2013 Goodman Manufacturing Company, L.P. ♦ 5151 San Felipe, Suite 500 ♦ Houston, TX 77056

Important Information

Index

Functional Parts List	3
Illustration and Parts	4 - 11

Views shown are for parts illustrations only, not servicing procedures.

Rev D: Addition of models with 2 piece louvers.

Text Codes:

AR - As Required

NA - Not Available

NS - Not Shown

00000000 - See Note

QTY - Quantity Example (QTY 3) (If Quantity not shown, Quantity = 1)

M - Model Example (M1) (If M Code not shown, then part is used on all Models)

Expanded Model Nomenclature:

Example M1 - Model#1 M2 - Model#2 M3 - Model#3

Goodman Manufacturing Company, L.P. is not responsible for personal injury or property damage resulting from improper service. Review all service information before beginning repairs.

Warranty service must be performed by an authorized technician, using authorized factory parts. If service is required after the warranty expires, Goodman Manufacturing Company, L.P. also recommends contacting an authorized technician and using authorized factory parts.

Goodman Manufacturing Company, L.P. reserves the right to discontinue, or change at any time, specifications or designs without notice or without incurring obligations.

For assistance within the U.S.A. contact:
Consumer Affairs Department
Goodman Manufacturing Company, L.P.
7401 Security Way
Houston, Texas 77040
877-254-4729-Telephone
713-863-2382-Facsimile

For assistance outside the U.S.A. contact:
International Division
Goodman Manufacturing Company, L.P.
7401 Security Way
Houston, Texas 77040
713-861-2500-Telephone
713-863-2382-Facsimile

Functional Parts

Part

No:

Description:

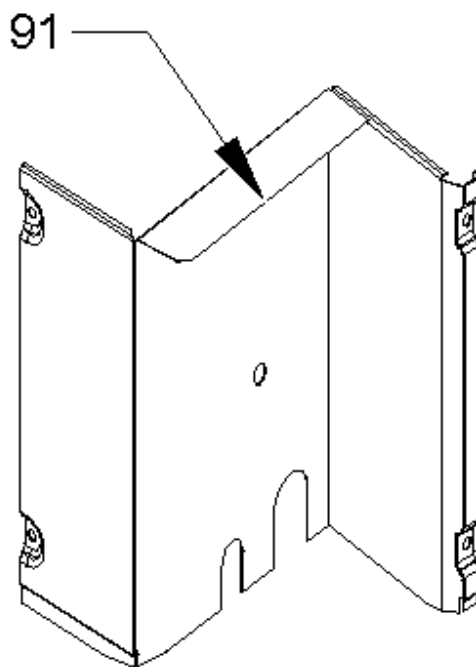
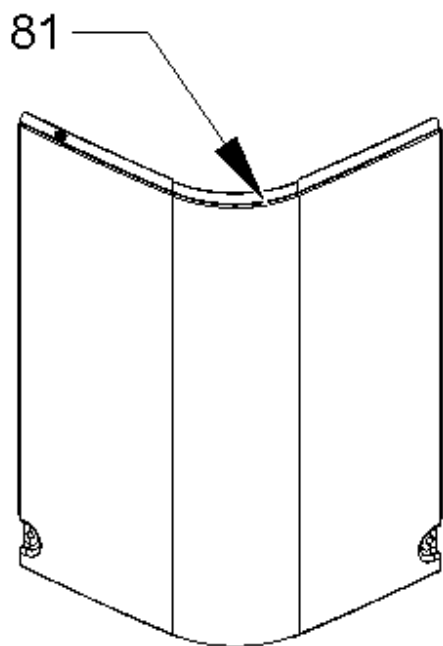
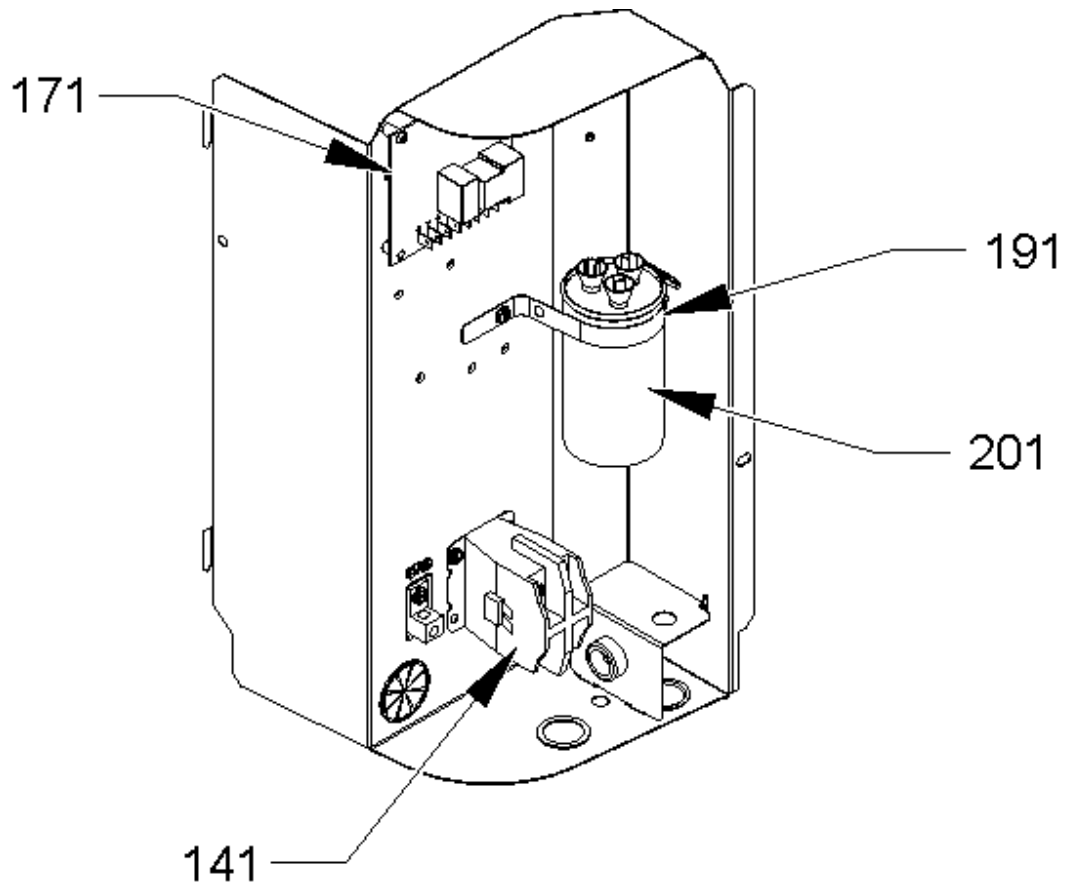
B12825171	3/8 BASE VALVE (OPEN)	0151M00018	REVERSING VALVE (M3, M4, M5, M6, M9, M10, M11, M12)
CAP050700440RT	CAP, 5/70 MFD/440V/DUAL RD (M28, M29, M30)	0151M00021	REVERSING VALVE (M18, M19, M22, M23, M24, M25, M26, M27, M28, M29, M30)
CAP050300440RS	CAPACITOR 5/30/370V (M4, M5, M6)	0151M00018	REVERSING VALVE (M2, M8)
CAP050350440RS	CAPACITOR 5/35/440V (M1, M2, M3)	0151M00019	REVERSING VALVE (M14, M15, M16, M17, M20, M21)
CAP050400440RT	CAPACITOR 5/40/440V (M7, M8, M9, M10, M11, M12, M13, M14, M15, M16, M17)	0151M00019	REVERSING VALVE (M1, M7, M13)
CAP050450440RT	CAPACITOR 5/45/440V (M18, M19, M20, M21, M22, M23, M24, M25, M26, M27)	B1225022	SOLENOID COIL
ZP21K5EPFV130	COMP, 21300, 208/230/60/1 (M7, M8, M9, M10, M11, M12)	0130M00089	SW-CUTOFF HI PRESS
ZP34K5EPFV130	COMP, 34500, 208/230/60/1 (M22, M23, M24)	0130M00088	SW-CUTOFF LOW PRESS
ZP16K5EPFV130	COMPRESSOR 15500, 208/230/60/1 (M1, M2, M3, M4, M5, M6)	0151R00032	VALVE, BASE 3/4" OPEN LEFT (M1, M2, M3, M4, M5, M6, M7, M8, M9, M10, M11, M12, M13, M14, M15, M16, M17, M20, M21)
ZP25K5EPFV130	COMPRESSOR 25200, 208/230/60/1 (M13, M14, M15, M16, M17)	0151R00033	VALVE, BASE 7/8" OPEN LEFT (M18, M19, M22, M23, M24, M25, M26, M27, M28, M29, M30)
ZP29K5EPFV130	COMPRESSOR 29000, 208/230/60/1 (M20, M21)		
ZP31K5EPFV130	COMPRESSOR 31100, 208/230/60/1 (M18, M19)		
ZP39K5EPFV130	COMPRESSOR 39000, 208/230/60/1 (M25, M26, M27)		
ZP51K5EPFV130	COMPRESSOR 51000, 208/230/60/1 (M28, M29, M30)		
0131M00019P	COND MOTOR 1/12 HP, 1 SP, 8 PL (M1, M2, M3, M4, M5, M6)		
0131M00016P	COND MOTOR 1/6 HP, 1 SP, 8 PL (M7, M8, M9, M10, M11, M12)		
0131M00012P	COND MOTOR 1/6 HP, 1 SP, 8 PL (M13, M14, M15, M16, M17)		
0131M00061	COND MOTOR, 1/4HP, 1SP, 8PL (M18, M19, M20, M21, M22, M23, M24, M25, M26, M27, M28, M29, M30)		
CONT1P025024V	CONTACTOR 25 AMP, 1P, 24V (M1, M2, M3, M4, M5, M6, M7, M8, M9, M10, M11, M12, M13, M14, M15, M16, M17, M18, M19, M20, M21, M22, M23, M24)		
CONT1P030024V	CONTACTOR 30 AMP, 1P, 24V (M25, M26, M27, M28, M29, M30)		
0130M00105	CONTROL, DEFROST		
0130M00106	DEFROST THERMOSTAT (M4, M5, M6, M10, M11, M12, M15, M16, M17, M19, M20, M21, M23, M24, M26, M27, M29, M30)		
10625737	FAN BLADE 22" ALUM CCW (M1, M2, M3, M4, M5, M6)		
0150M00008	FAN BLADE 22" TNT2203-25 (M7, M8, M9, M10, M11, M12)		
10625738	FAN BLADE 26" ALUM CCW (M18, M19, M22, M23, M24, M25, M26, M27, M28, M29, M30)		
B1086764	FAN BLADE TYPE 2 (M13, M14, M15, M16, M17)		
B1086765	FAN BLADE TYPE 3 (M20, M21)		
0163R00006	HEATER, CRANKCASE 230V, 40W (M4, M5, M6, M10, M11, M12, M15, M16, M17, M19, M20, M21)		
0163R00007	HEATER, CRANKCASE 230V, 40W (M23, M24, M26, M27, M29, M30)		
0130R00000S	LOW PRESSURE SWITCH (M7, M8, M9, M13, M14, M18, M22, M25, M28)		
0162R00007	MUFFLER 1/2 X 1/2		
PCBDM130	PCB, DEFROST CONTROL (M7, M8, M9, M13, M14, M18, M22, M25, M28)		
PCBDM133	PCB, DEFROST CONTROL (M1, M2, M3, M4, M5, M6, M10, M11, M12, M15, M16, M17, M19, M20, M21, M23, M24, M26, M27, M29, M30)		

SPECIAL PARTS

0161R00009P NAMEPLATE
Expanded Model Nomenclature

M1 - SSZ140181AC
M2 - SSZ140181AD
M3 - SSZ140181AE
M4 - SSZ140181AF
M5 - SSZ140181AG
M6 - SSZ140181AH
M7 - SSZ140241AF
M8 - SSZ140241AG
M9 - SSZ140241AH
M10 - SSZ140241AJ
M11 - SSZ140241AK
M12 - SSZ140241AL
M13 - SSZ140301AD
M14 - SSZ140301AE
M15 - SSZ140301AF
M16 - SSZ140301AG
M17 - SSZ140301AH
M18 - SSZ140361AG
M19 - SSZ140361AH
M20 - SSZ140361BA
M21 - SSZ140361BB
M22 - SSZ140421AE
M23 - SSZ140421AF
M24 - SSZ140421AG
M25 - SSZ140481AE
M26 - SSZ140481AF
M27 - SSZ140481AG
M28 - SSZ140601AE
M29 - SSZ140601AF
M30 - SSZ140601AG

Control Panel



Control Panel

Ref. Part

No: No: Description:

Ref. Part

No: No: Description:

Image 1:

81	0121R00053PDG	CONTROL COVER
91	0121R00318PDG	PANEL, LOWER ACCESS PNT (M7, M8, M9, M10, M11, M12, M13, M14, M15, M16, M17, M18, M19, M20, M21, M22, M23, M24, M28, M29, M30)
91	0121R00321PDG	PANEL, LOWER ACCESS PNT (M1, M2, M3, M4, M5, M6, M25, M26, M27)
141	CONT1P025024V	CONTACTOR 25 AMP, 1P, 24V (M1, M2, M3, M4, M5, M6, M7, M8, M9, M10, M11, M12, M13, M14, M15, M16, M17, M18, M19, M20, M21, M22, M23, M24)
141	CONT1P030024V	CONTACTOR 30 AMP, 1P, 24V (M25, M26, M27, M28, M29, M30)
171	PCBDM130	PCB, DEFROST CONTROL (M7, M8, M9, M13, M14, M18, M22, M25, M28)
171	PCBDM133	PCB, DEFROST CONTROL (M1, M2, M3, M4, M5, M6, M10, M11, M12, M15, M16, M17, M19, M20, M21, M23, M24, M26, M27, M29, M30)
191	4400065	CAPACITOR STRAP
201	CAP050700440RT	CAP, 5/70 MFD/440V/DUAL RD (M28, M29, M30)
201	CAP050300440RS	CAPACITOR 5/30/370V (M4, M5, M6)
201	CAP050350440RS	CAPACITOR 5/35/440V (M1, M2, M3)
201	CAP050400440RT	CAPACITOR 5/40/440V (M7, M8, M9, M10, M11, M12, M13, M14, M15, M16, M17)
201	CAP050450440RT	CAPACITOR 5/45/440V (M18, M19, M20, M21, M22, M23, M24, M25, M26, M27)
NS	0161R00009P	NAMEPLATE

Expanded Model Nomenclature

M1 - SSZ140181AC
M2 - SSZ140181AD
M3 - SSZ140181AE
M4 - SSZ140181AF
M5 - SSZ140181AG
M6 - SSZ140181AH
M7 - SSZ140241AF
M8 - SSZ140241AG
M9 - SSZ140241AH
M10 - SSZ140241AJ
M11 - SSZ140241AK
M12 - SSZ140241AL
M13 - SSZ140301AD
M14 - SSZ140301AE
M15 - SSZ140301AF
M16 - SSZ140301AG
M17 - SSZ140301AH
M18 - SSZ140361AG
M19 - SSZ140361AH
M20 - SSZ140361BA
M21 - SSZ140361BB
M22 - SSZ140421AE
M23 - SSZ140421AF
M24 - SSZ140421AG
M25 - SSZ140481AE
M26 - SSZ140481AF
M27 - SSZ140481AG
M28 - SSZ140601AE
M29 - SSZ140601AF
M30 - SSZ140601AG

Top Panel Assy / Louver Panels

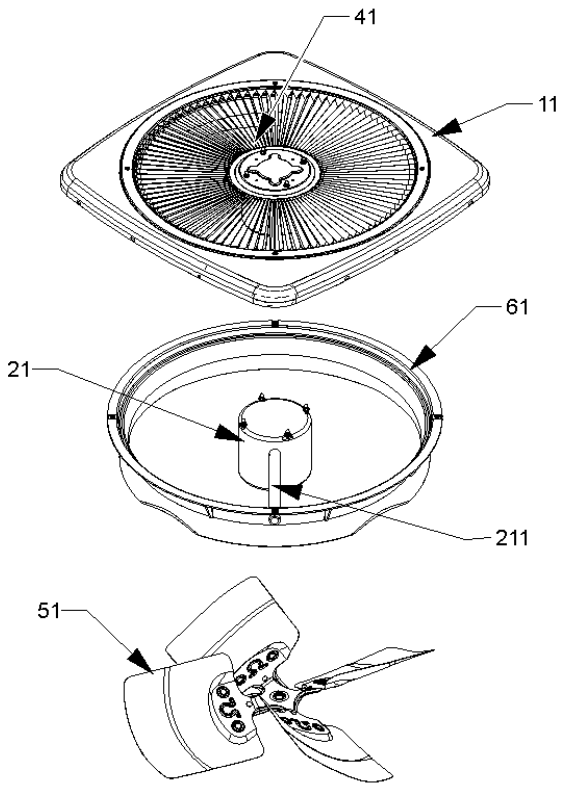


Image 1

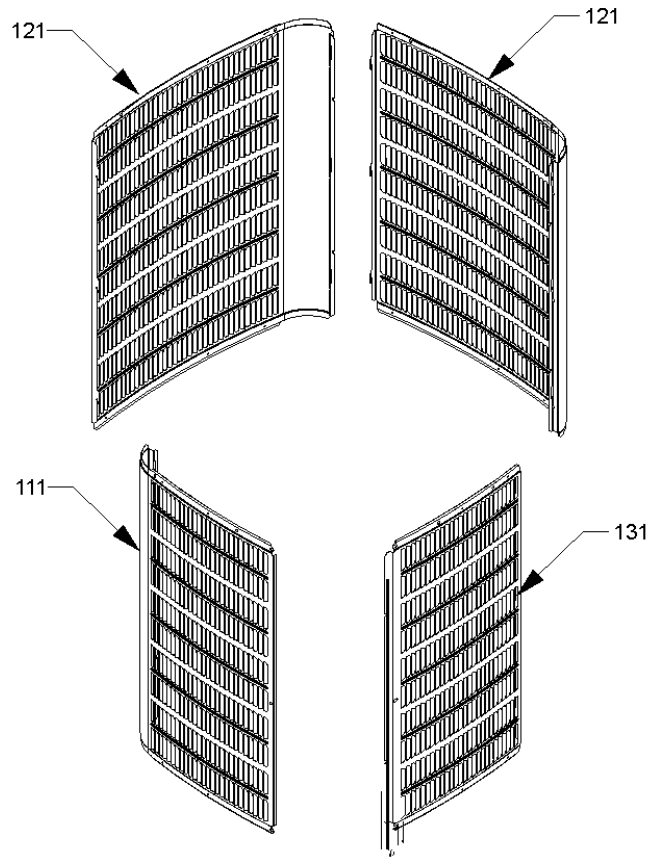
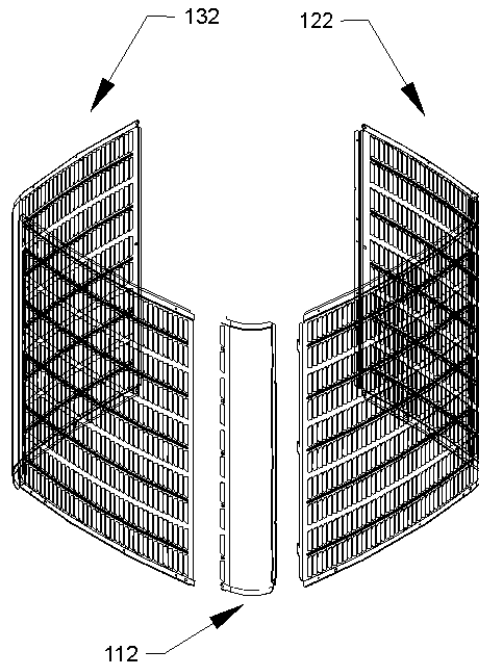


Image 2



Top Panel Assy / Louver Panels

**Ref. Part
No: No:**

Description:

**Ref. Part
No: No:**

Description:

Image 1:

11	0121R00010PDG	PANEL, TOP 29" PNT (M1, M2, M3, M4, M5, M6, M7, M8, M9, M10, M11, M12, M13, M14, M15, M16, M17, M20, M21)
11	0121R00269PDG	Top Panel, 35" Pnt (M18, M19, M22, M23, M24, M25, M26, M27, M28, M29, M30)
21	0131M00019P	COND MOTOR 1/12 HP, 1 SP, 8 PL (M1, M2, M3, M4, M5, M6)
21	0131M00012P	COND MOTOR 1/6 HP, 1 SP, 8 PL (M13, M14, M15, M16, M17)
21	0131M00016P	COND MOTOR 1/6 HP, 1 SP, 8 PL (M7, M8, M9, M10, M11, M12)
21	0131M00061	COND MOTOR, 1/4HP, 1SP, 8PL (M18, M19, M20, M21, M22, M23, M24, M25, M26, M27, M28, M29, M30)
41	0163M00006P	ACORN NUT 5/16 HEX BLACK (QTY 4)
51	10625737	FAN BLADE 22" ALUM CCW (M1, M2, M3, M4, M5, M6)
51	0150M00008	FAN BLADE 22" TNT2203-25 (M7, M8, M9, M10, M11, M12)
51	10625738	FAN BLADE 26" ALUM CCW (M18, M19, M22, M23, M24, M25, M26, M27, M28, M29, M30)
51	B1086764	FAN BLADE TYPE 2 (M13, M14, M15, M16, M17)
61	B1086765	FAN BLADE TYPE 3 (M20, M21)
111	0121R00025PDGB	LOUVERED SIDE PANEL [LT OF CNTL PNL] (M1, M2, M3, M4, M5)
111	0121R00042PDGB	LOUVERED SIDE PANEL [LT OF CNTL PNL] (M25, M26, M27)
111	0121R00043PDGB	LOUVERED SIDE PANEL [LT OF CNTL PNL] (M18, M19, M22, M23, M24, M28, M29, M30)
111	0121R00027PDGB	PANEL 1,BENT LOUVER 29_36.0 (M7, M8, M9, M10, M11, M13, M14, M15, M16, M20)
121	0121R00031PDGB	LOUVERED SIDE PANEL (M1, M2, M3, M4, M5)
121	0121R00033PDGB	LOUVERED SIDE PANEL (M7, M8, M9, M10, M11, M13, M14, M15, M16, M20)
121	0121R00046PDGB	LOUVERED SIDE PANEL (M25, M26, M27)
121	0121R00047PDGB	LOUVERED SIDE PANEL (M18, M19, M22, M23, M24, M28, M29, M30)
131	0121R00037PDG	LOUVERED SIDE PANEL [RT OF CNTL PNL] (M1, M2, M3, M4, M5)
131	0121R00039PDG	LOUVERED SIDE PANEL [RT OF CNTL PNL] (M7, M8, M9, M10, M11, M13, M14, M15, M16, M20)
131	0121R00050PDG	LOUVERED SIDE PANEL [RT OF CNTL PNL] (M25, M26, M27)
131	0121R00051PDG	LOUVERED SIDE PANEL [RT OF CNTL PNL] (M18, M19, M22, M23, M24, M28, M29, M30)
211	0161R00002P	CONDUIT (M20, M21)
211	0161R00003P	CONDUIT (M1, M2, M3, M4, M5, M6, M7, M8, M9, M10, M11, M12, M13, M14, M15, M16, M17)
211	0161R00005P	CONDUIT (M18, M19, M22, M23, M24, M25, M26, M27, M28, M29, M30)

Image 2:

112	0121R00351PDG	Louver Post, PDG 30.49 (M6)
112	0121R00353PDG	Louver Post, PDG 34.49 (M12, M17, M21)
122	0121R00343PDGR	Louver Panel, PDG 29"_30.49 (M6)
122	0121R00345PDGR	Louver Panel, PDG 29"_34.49 (M12, M17, M21)
132	0121R00343PDGL	Louver Panel, PDG 29"_30.49 (M6)
132	0121R00345PDGL	Louver Panel, PDG 29"_34.49 (M12, M17, M21)

Expanded Model Nomenclature

M1 - SSZ140181AC
M2 - SSZ140181AD
M3 - SSZ140181AE
M4 - SSZ140181AF
M5 - SSZ140181AG
M6 - SSZ140181AH
M7 - SSZ140241AF
M8 - SSZ140241AG
M9 - SSZ140241AH
M10 - SSZ140241AJ
M11 - SSZ140241AK
M12 - SSZ140241AL
M13 - SSZ140301AD
M14 - SSZ140301AE
M15 - SSZ140301AF
M16 - SSZ140301AG
M17 - SSZ140301AH
M18 - SSZ140361AG
M19 - SSZ140361AH
M20 - SSZ140361BA
M21 - SSZ140361BB
M22 - SSZ140421AE
M23 - SSZ140421AF
M24 - SSZ140421AG
M25 - SSZ140481AE
M26 - SSZ140481AF
M27 - SSZ140481AG
M28 - SSZ140601AE
M29 - SSZ140601AF
M30 - SSZ140601AG

Tubing Assy

IMAGE 1

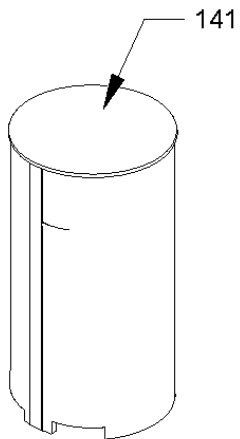
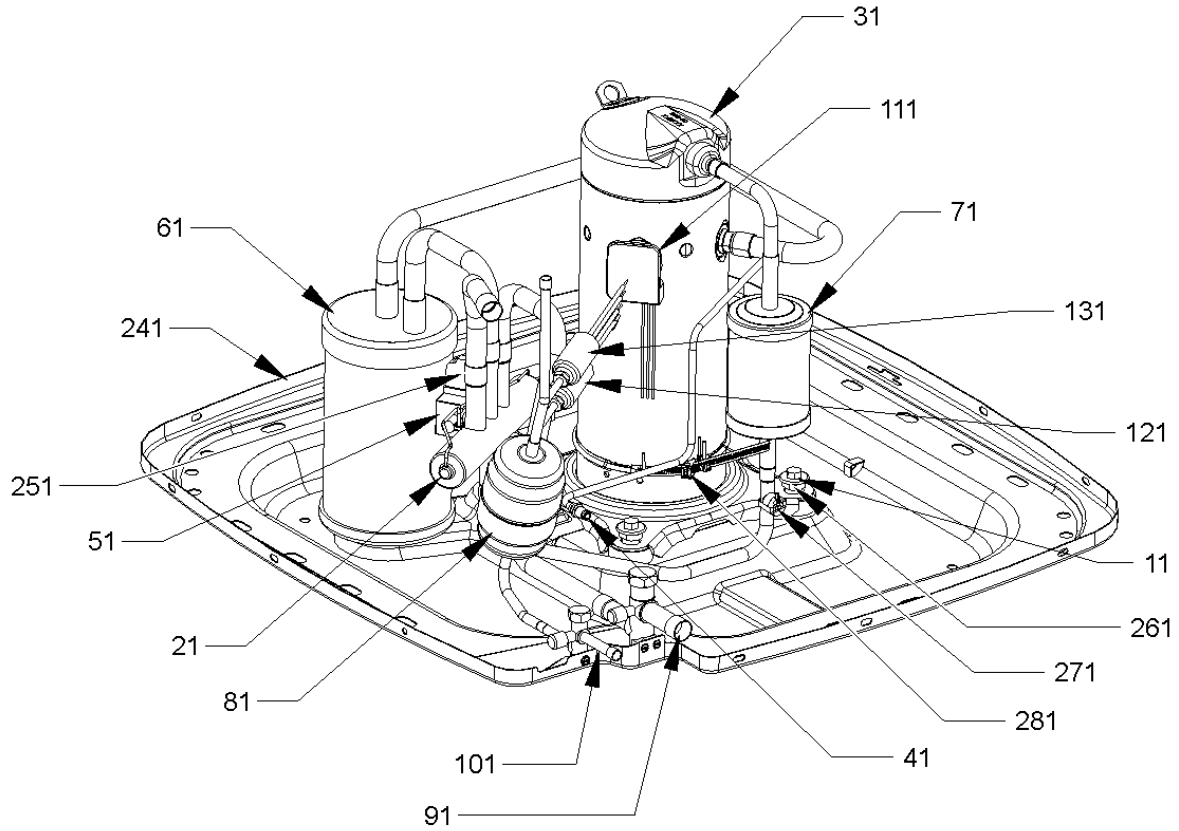
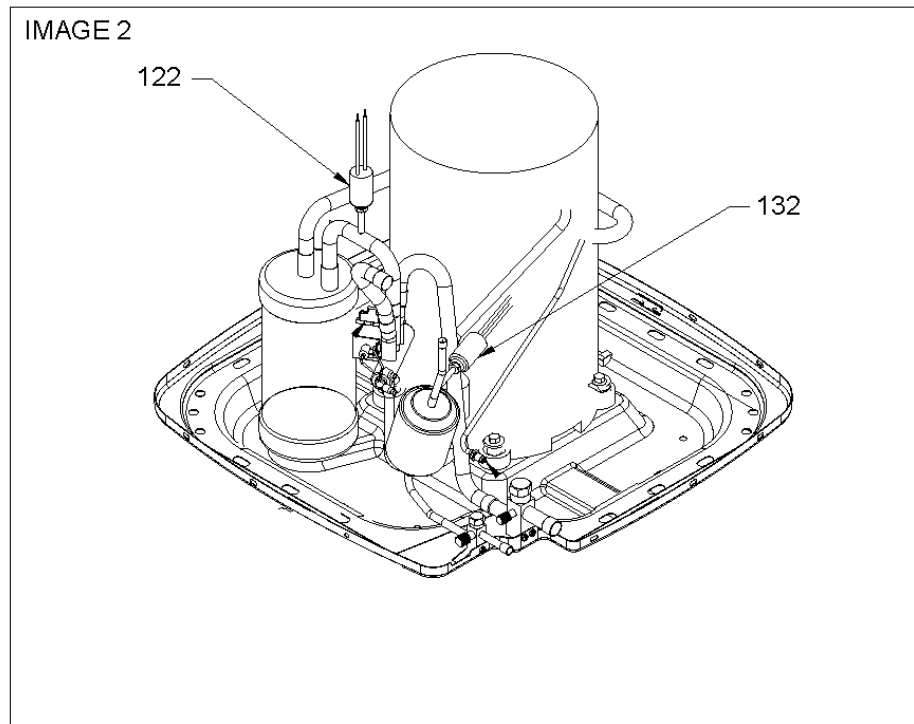


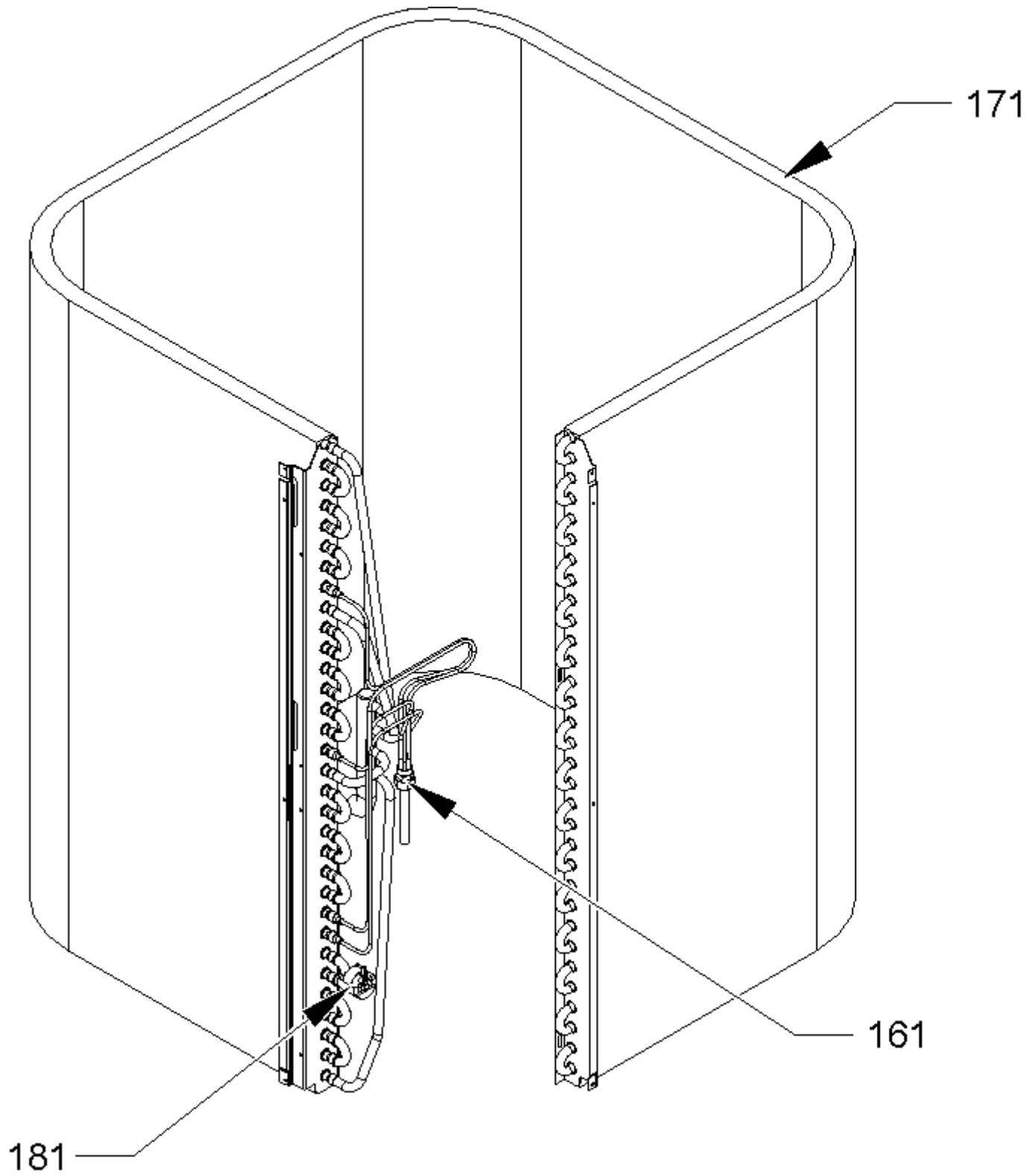
IMAGE 2



Tubing Assy

Ref. Part No: No:	Description:	Ref. Part No: No:	Description:
<i>Image 1:</i>		<i>Image 1:</i>	
11	M0221641 TF SHOULDER SCREW (QTY 4)	281	0163R00007 HEATER, CRANKCASE 230V, 40W (M23, M24, M26, M27, M29, M30)
21	0151M00018 REVERSING VALVE (M2, M8)	NS	0163M00087 ACCESS FITTING (M20, M21)
21	0151M00018 REVERSING VALVE (M3, M4, M5, M6, M9, M10, M11, M12)	NS	B1373310 ACCESS FITTING (M1, M2, M3, M4, M5, M6, M7, M8, M9, M10, M11, M12, M13, M14, M15, M16, M17, M18, M19, M22, M23, M24, M25, M26, M27, M28, M29, M30)
21	0151M00019 REVERSING VALVE (M14, M15, M16, M17, M20, M21)	NS	0163M00175 CAP WITH O-RING
21	0151M00019 REVERSING VALVE (M1, M7, M13)	NS	B1789871 FLOW CHECK PISTON KIT .071 (M18, M19)
21	0151M00021 REVERSING VALVE (M18, M19, M22, M23, M24, M25, M26, M27, M28, M29, M30)	NS	B1789876 FLOW CHECK PISTON KIT .076 (M22)
31	ZP21K5EPFV130 COMP,21300,208/230/60/1 (M7, M8, M9, M10, M11, M12)	NS	B1789880 FLOW CHECK PISTON KIT .080 (M25)
31	ZP34K5EPFV130 COMP,34500,208/230/60/1 (M22, M23, M24)	NS	B1789888 FLOW CHECK PISTON KIT .088 (M28)
31	ZP16K5EPFV130 COMPRESSOR 15500, 208/230/60/1 (M1, M2, M3, M4, M5, M6)	<i>Image 2:</i>	
31	ZP25K5EPFV130 COMPRESSOR 25200, 208/230/60/1 (M13, M14, M15, M16, M17)	122	0130M00088 SW-CUTOUT LOW PRESS (M5, M6, M11, M12, M16, M17, M20, M21, M24, M27, M30)
31	ZP29K5EPFV130 COMPRESSOR 29000, 208/230/60/1 (M20, M21)	132	0130M00089 SW-CUTOUT HI PRESS (M5, M6, M11, M12, M16, M17, M24, M27, M30)
31	ZP31K5EPFV130 COMPRESSOR 31100, 208/230/60/1 (M18, M19)	Expanded Model Nomenclature	
31	ZP39K5EPFV130 COMPRESSOR 39000, 208/230/60/1 (M25, M26, M27)	M1 - SSZ140181AC M2 - SSZ140181AD M3 - SSZ140181AE M4 - SSZ140181AF M5 - SSZ140181AG M6 - SSZ140181AH M7 - SSZ140241AF M8 - SSZ140241AG M9 - SSZ140241AH M10 - SSZ140241AJ M11 - SSZ140241AK M12 - SSZ140241AL M13 - SSZ140301AD M14 - SSZ140301AE M15 - SSZ140301AF M16 - SSZ140301AG M17 - SSZ140301AH M18 - SSZ140361AG M19 - SSZ140361AH M20 - SSZ140361BA M21 - SSZ140361BB M22 - SSZ140421AE M23 - SSZ140421AF M24 - SSZ140421AG M25 - SSZ140481AE M26 - SSZ140481AF M27 - SSZ140481AG M28 - SSZ140601AE M29 - SSZ140601AF M30 - SSZ140601AG	
31	ZP51K5EPFV130 COMPRESSOR 51000, 208/230/60/1 (M28, M29, M30)		
41	B1787000 VALVE CORE		
51	B1225022 SOLENOID COIL		
61	0151L00008 ACCUMULATOR (M20, M21)		
61	0151R00004P ACCUMULATOR .750 (M1, M2, M3, M4, M5, M6, M7, M8, M9, M10, M11, M12, M13, M14, M15, M16, M17)		
61	B1226207 ACCUMULATOR .875 (M18, M19, M22, M23, M24, M25, M26, M27, M28, M29, M30)		
71	0162R00007 MUFFLER 1/2 X 1/2		
81	20485201 BI-FLOW FILTER DRIER		
91	0151R00032 VALVE, BASE 3/4" OPEN LEFT (M1, M2, M3, M4, M5, M6, M7, M8, M9, M10, M11, M12, M13, M14, M15, M16, M17, M20, M21)		
91	0151R00033 VALVE, BASE 7/8" OPEN LEFT (M18, M19, M22, M23, M24, M25, M26, M27, M28, M29, M30)		
101	B12825171 3/8 BASE VALVE (OPEN)		
111	0159R00002P COMPRESSOR SCROLL HARNESS		
121	0130R00000S LOW PRESSURE SWITCH (M7, M8, M9, M13, M14, M18, M22, M25, M28)		
121	0130M00088 SW-CUTOUT LOW PRESS (M1, M2, M3, M4, M10, M15, M19, M23, M26, M29)		
131	0130M00089 SW-CUTOUT HI PRESS (M1, M2, M3, M4, M7, M8, M9, M10, M13, M14, M15, M18, M19, M20, M21, M22, M23, M25, M26, M28, M29)		
141	B1488807 COMPRESSOR SOUND BLANKET (M1, M2, M7, M8, M13, M22, M23, M24, M25, M26, M27, M28, M29, M30)		
141	B1488810 COMPRESSOR SOUND BLANKET (M3, M4, M5, M6, M9, M10, M11, M12, M14, M15, M16, M17, M18, M19, M20, M21)		
241	0121R00006PDG BASE PAN 29" (M1, M2, M3, M4, M5, M6, M7, M8, M9, M10, M11, M12, M13, M14, M15, M16, M17, M20, M21)		
241	0121R00007PDG BASE PAN 35" (M18, M19, M22, M23, M24, M25, M26, M27, M28, M29, M30)		
251	B1225020 SOLENOID COIL CORD W/1/4"TERMINAL (M1, M2, M7, M8, M13)		
251	0130M00083 SOLENOID HARNESS W/1/4" TERM (M3, M4, M5, M6, M9, M10, M11, M12, M14, M15, M16, M17, M18, M19, M20, M21, M22, M23, M24, M25, M26, M27, M28, M29, M30)		
261	B1339533 COMPRESSOR GROMMET (QTY 4)		
271	0130M00106 DEFROST THERMOSTAT (M4, M5, M6, M10, M11, M12, M15, M16, M17, M19, M20, M21, M23, M24, M26, M27, M29, M30)		
281	0163R00006 HEATER, CRANKCASE 230V, 40W (M4, M5, M6, M10, M11, M12, M15, M16, M17, M19, M20, M21)		

Condenser Coil



Condenser Coil

Ref. Part No:	Part No:	Description:	Ref. Part No:	Part No:	Description:
---------------	----------	--------------	---------------	----------	--------------

Image 1:

161	0162M00024	FLOWRATOR .041 (M1, M2, M3, M4, M5, M6)
161	0162M00033	FLOWRATOR .047 (M7, M8, M9, M10, M11, M12)
161	0162M00035	FLOWRATOR .053 (M13, M14, M15, M16, M17)
161	0162M00087	FLOWRATOR .053 (M18, M19)
161	0162M00070	FLOWRATOR .059 (M20, M21, M22, M23, M24)
161	0162M00088	FLOWRATOR .059 (M25, M26, M27)
161	0162M00085	FLOWRATOR .065 (M28, M29, M30)
171	0201R00060	TUBING ASSY, COND COIL (M25, M26, M27)
171	0201R00061	TUBING ASSY, COND COIL (M7, M8, M9, M10, M11, M12)
171	0201R00062	TUBING ASSY, COND COIL (M13, M14, M15, M16, M17)
171	0201R00071	TUBING ASSY, COND COIL (M1, M2, M3, M4, M5, M6)
171	0201R00072	TUBING ASSY, COND COIL (M18, M19, M22, M23, M24)
171	0201R00073	TUBING ASSY, COND COIL (M28, M29, M30)
171	0201R00351	TUBING ASSY, COND COIL (M20, M21)
181	0130M00105	CONTROL, DEFROST

Expanded Model Nomenclature

M1 - SSZ140181AC
M2 - SSZ140181AD
M3 - SSZ140181AE
M4 - SSZ140181AF
M5 - SSZ140181AG
M6 - SSZ140181AH
M7 - SSZ140241AF
M8 - SSZ140241AG
M9 - SSZ140241AH
M10 - SSZ140241AJ
M11 - SSZ140241AK
M12 - SSZ140241AL
M13 - SSZ140301AD
M14 - SSZ140301AE
M15 - SSZ140301AF
M16 - SSZ140301AG
M17 - SSZ140301AH
M18 - SSZ140361AG
M19 - SSZ140361AH
M20 - SSZ140361BA
M21 - SSZ140361BB
M22 - SSZ140421AE
M23 - SSZ140421AF
M24 - SSZ140421AG
M25 - SSZ140481AE
M26 - SSZ140481AF
M27 - SSZ140481AG
M28 - SSZ140601AE
M29 - SSZ140601AF
M30 - SSZ140601AG